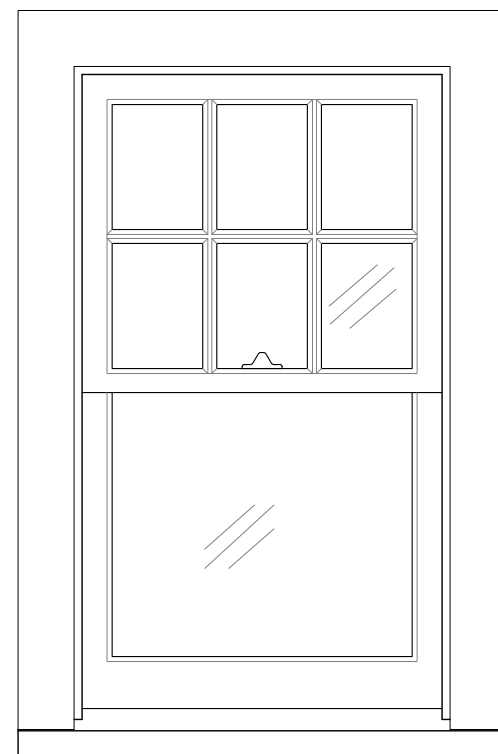
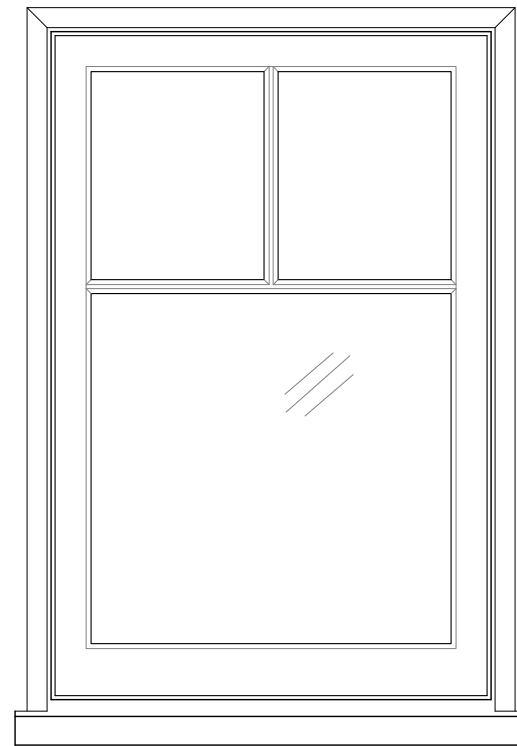




P.O. Box 1188, 11 Little Harbor Rd. Berwick, Maine 03901
Tel: (800) 597 6344 www.littleharborwindow.com Fax: (207) 636 8008

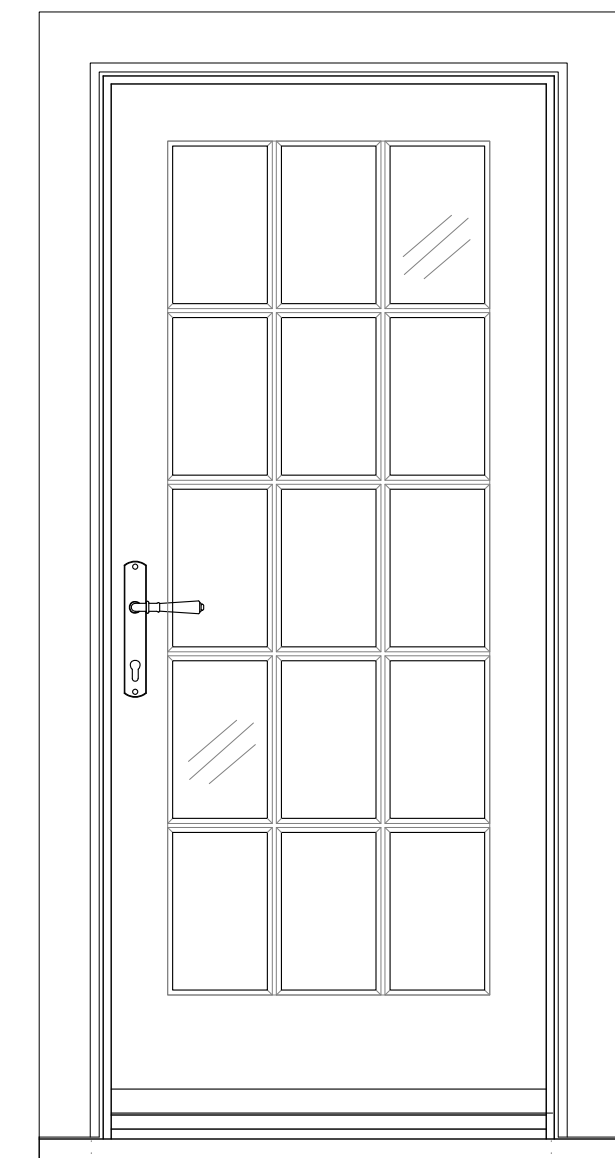
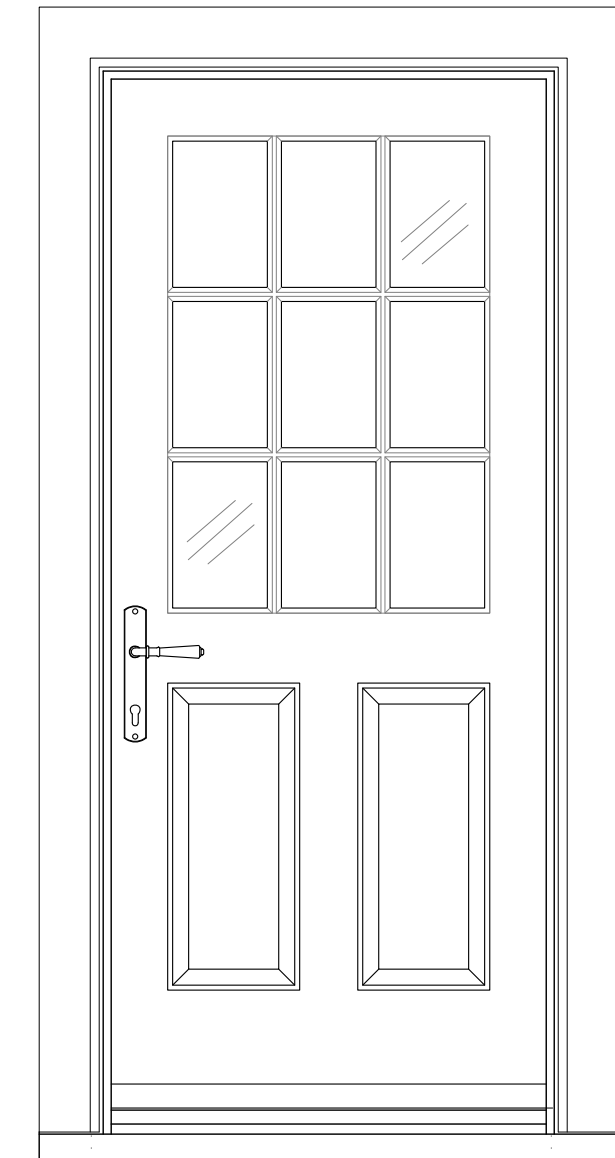
Traditional Series

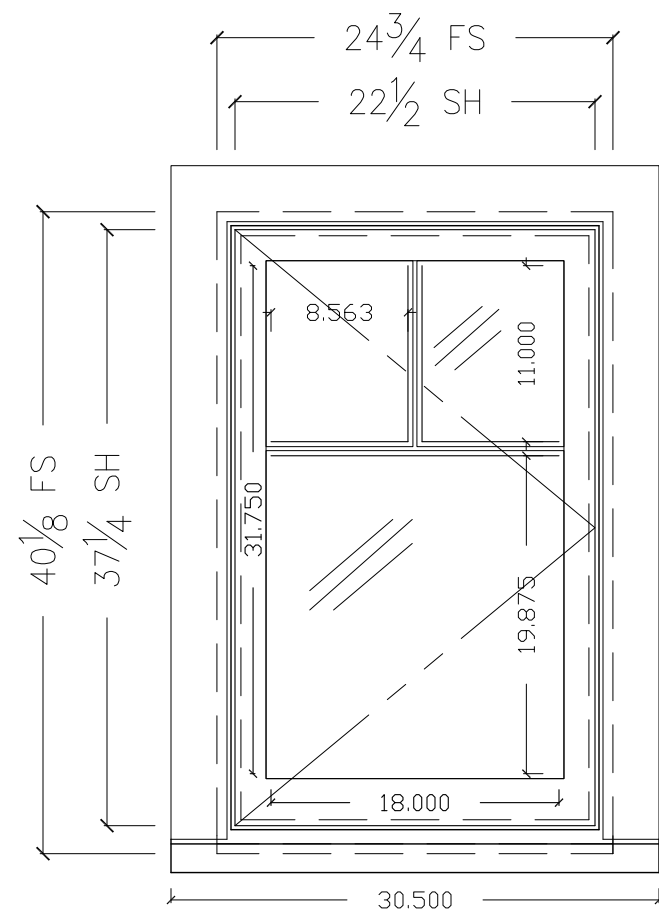
Solid Mahogany Windows & Doors



- 1-3/4" SASH THICKNESS
- 5/8" HIGH PERFORMANCE LOW-E GLASS
- 1 3/4" SILL THICKNESS
- JAMB DEPTH TO 6-5/8"
- CHOICE OF THREE MUNTIN PROFILES
- CHOICE OF THREE CASING PROFILES
- BLOCK AND TACKLE CONCEALED BALANCES
- PHELPS LKF 18 SASH LOCKS
- TRUTH ENCORE / MIRAGE CASEMENT HARDWARE
- 2 COATS PREMIUM OIL BASED PRIMER

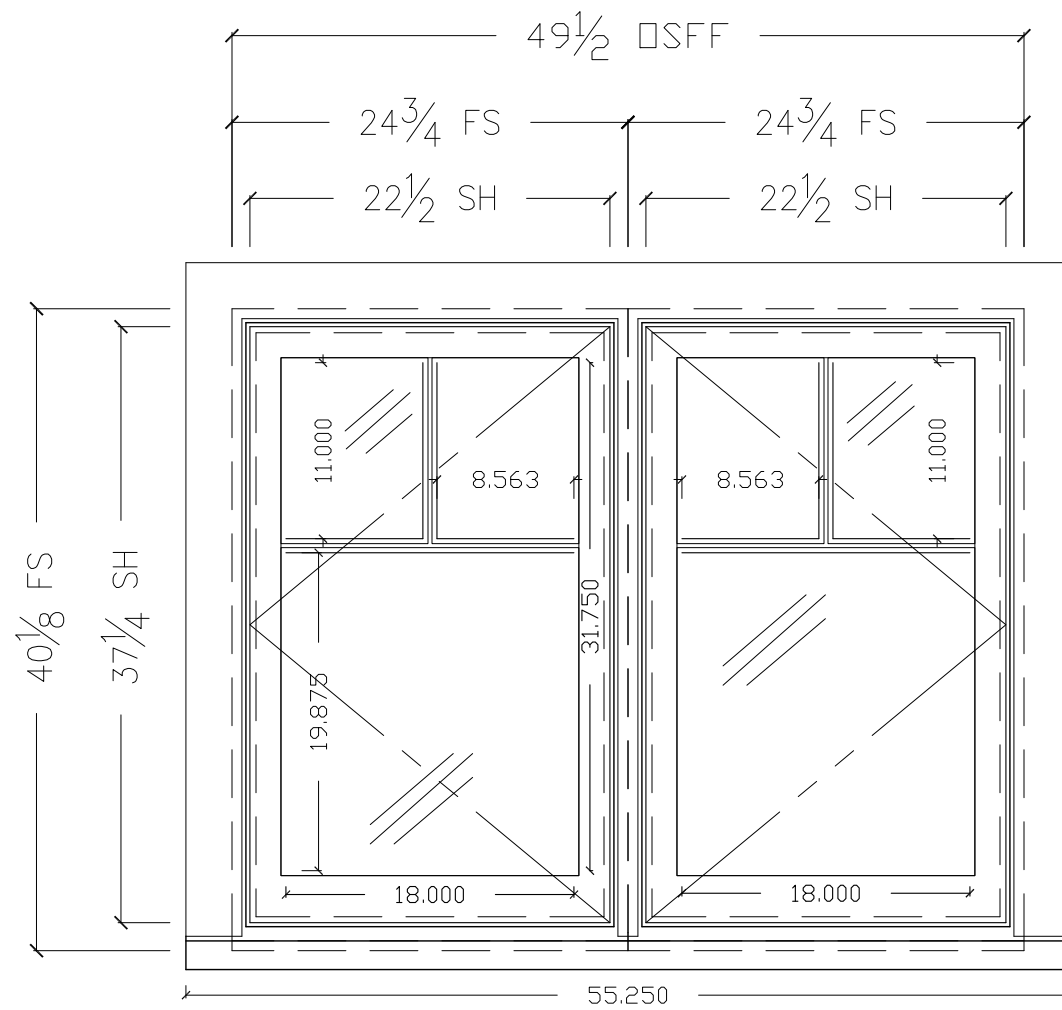
- 2 1/4" DOOR THICKNESS
- STAVE CORE STILES
- STANDARD STILE AND RAIL DIMENSIONS
- 7/8" HIGH PERFORMANCE LOW-E GLASS
- JAMB DEPTH TO 6-5/8"
- CHOICE OF THREE MUNTIN PROFILES
- CHOICE OF THREE CASING PROFILES
- EPOXY COATED TOP/BOTTOM DOOR LEAF
- MAHOGANY THRESHOLD W/TIMBER OIL
- BRONZE SADDLE WITH THERMAL BREAK
- COMPRESSION WEATHERSEALS
- HAGER BALLBEARING HINGES
- 2 COATS PREMIUM OIL BASED PRIMER
- HOPPE MULTI POINT LOCKS AVAILABLE





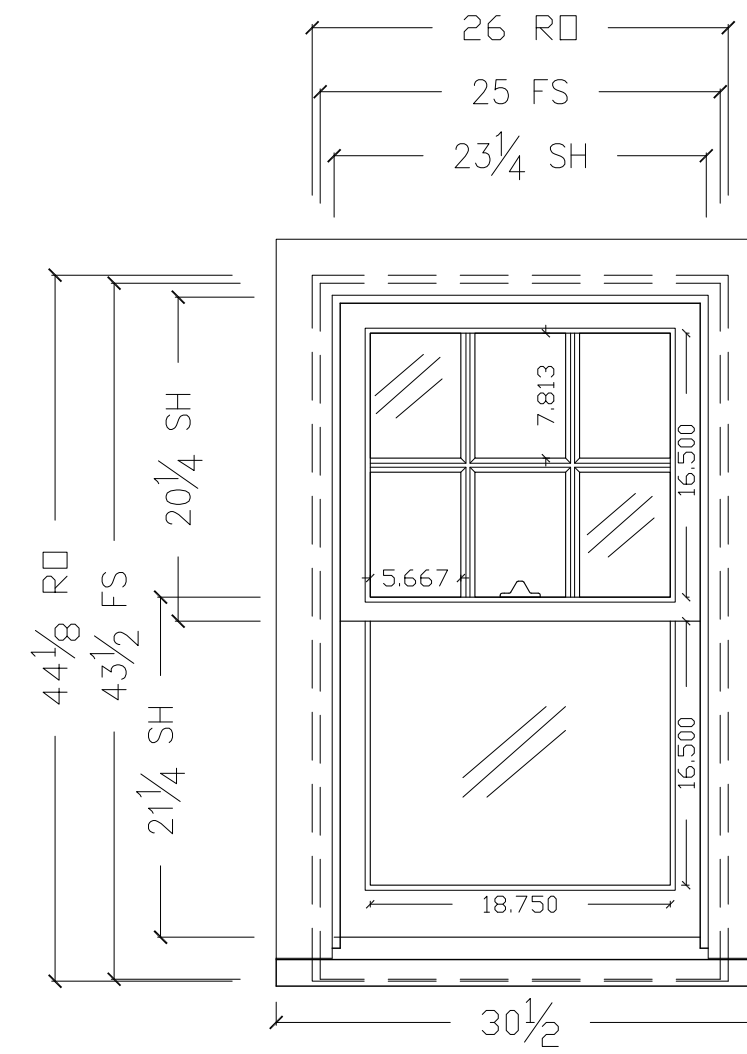
CAS A QTY: 1
STAIN GRADE

No.	Location	Notes
100	Sample	RH



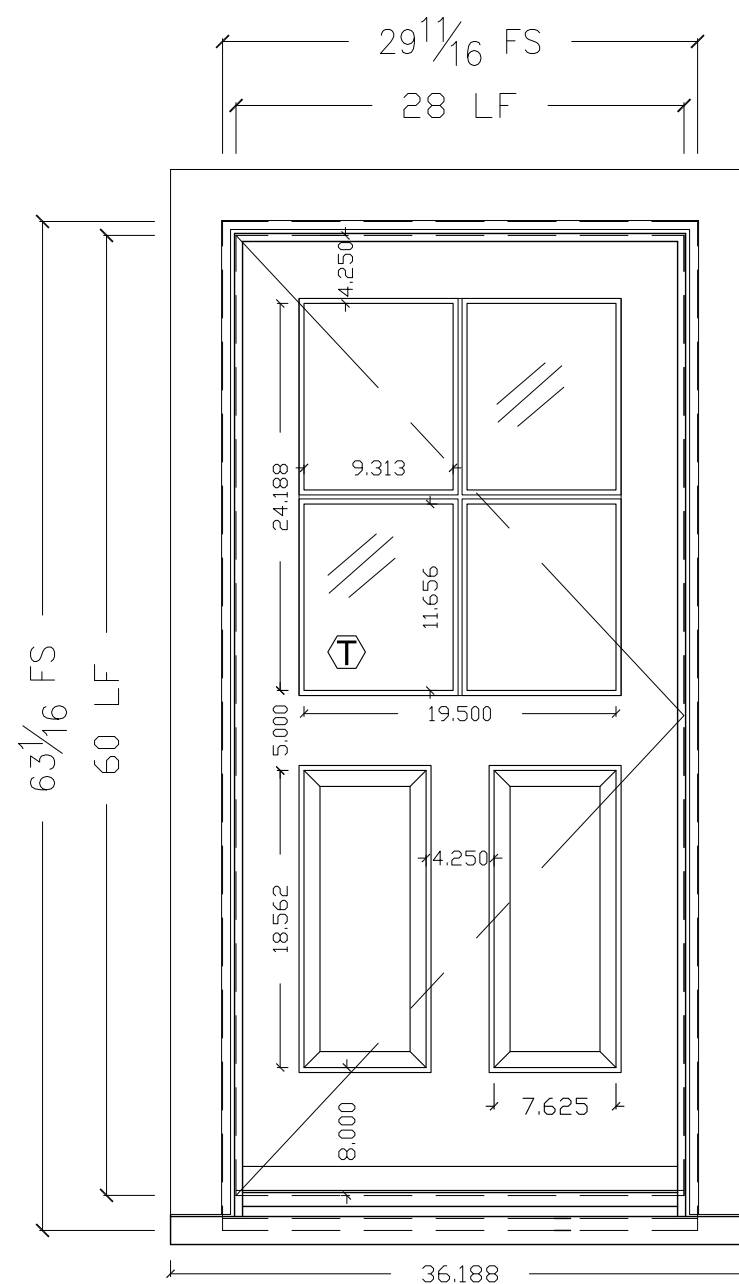
CAS C - 2 Mull QTY: 1

No.	Location	Notes
102	Sample	LH
103		RH



Traditional Series DH

No.	Location	Notes	Jamb
001	Sample		6 9/16



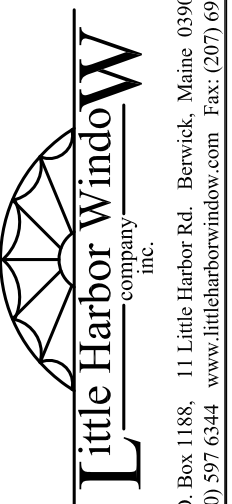
Traditional Series Inswing Door

No.	Location	Notes	Jamb Depth
D100	Sample	RH	6 5/8

ISSUE

2019	ORIG
	REV
	REV
	REV
	REV
	APPR

Notes:
 1. Mahogany - 2 Coats Of Heavy Body Oil Primer.
 2. 5/8" or 7/8" IG Low E Glass, Bronze Aluminum Spacer.
 3. See Section Pages for Hardware Notes.
 4. 3/8" Aluminum Screen Surround With Charcoal Mesh @ Windows.
 Legend:
 RO - Rough Opening, FS - Frame Size, SH - Sash Size, OSFF - Outside Finish Frame.



Traditional Series

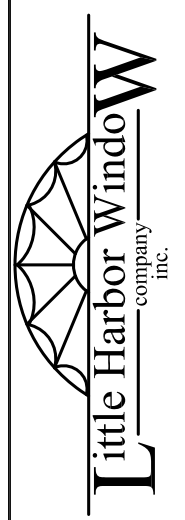
LHW Project No:
 Drawn By:
 LHW
 Contractor:
 Phone:
 Architect:
 Phone:

Scale:
 1" = 1'-0"

Page:
 1

- Notes:
1. Mahogany - 2 Coats Of Heavy Body Oil Primer.
 2. 5/8" IG Low E Glass, Bronze Spacer.
 3. LHW Hidden Balance System.
 4. Aluminum Screen Surround With Charcoal Or Bronze Mesh.

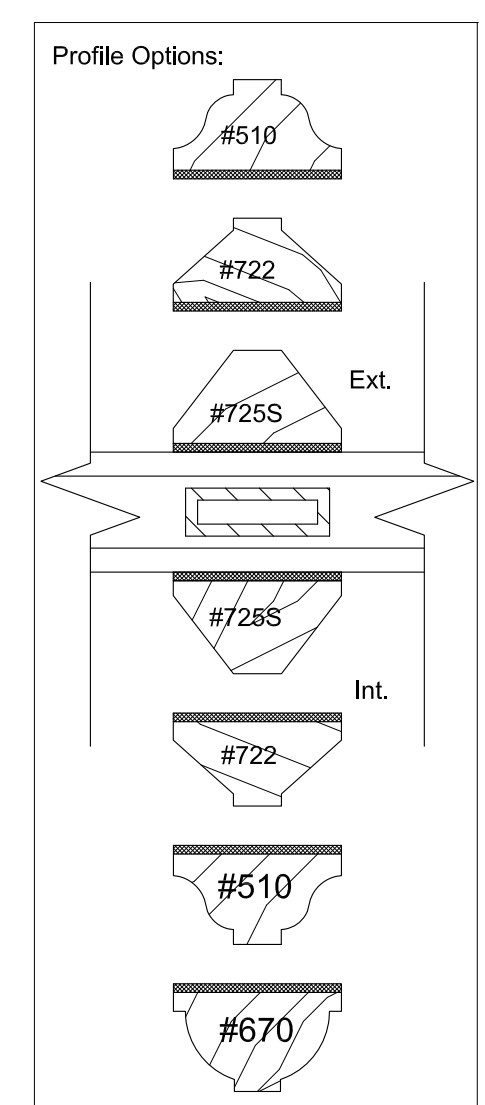
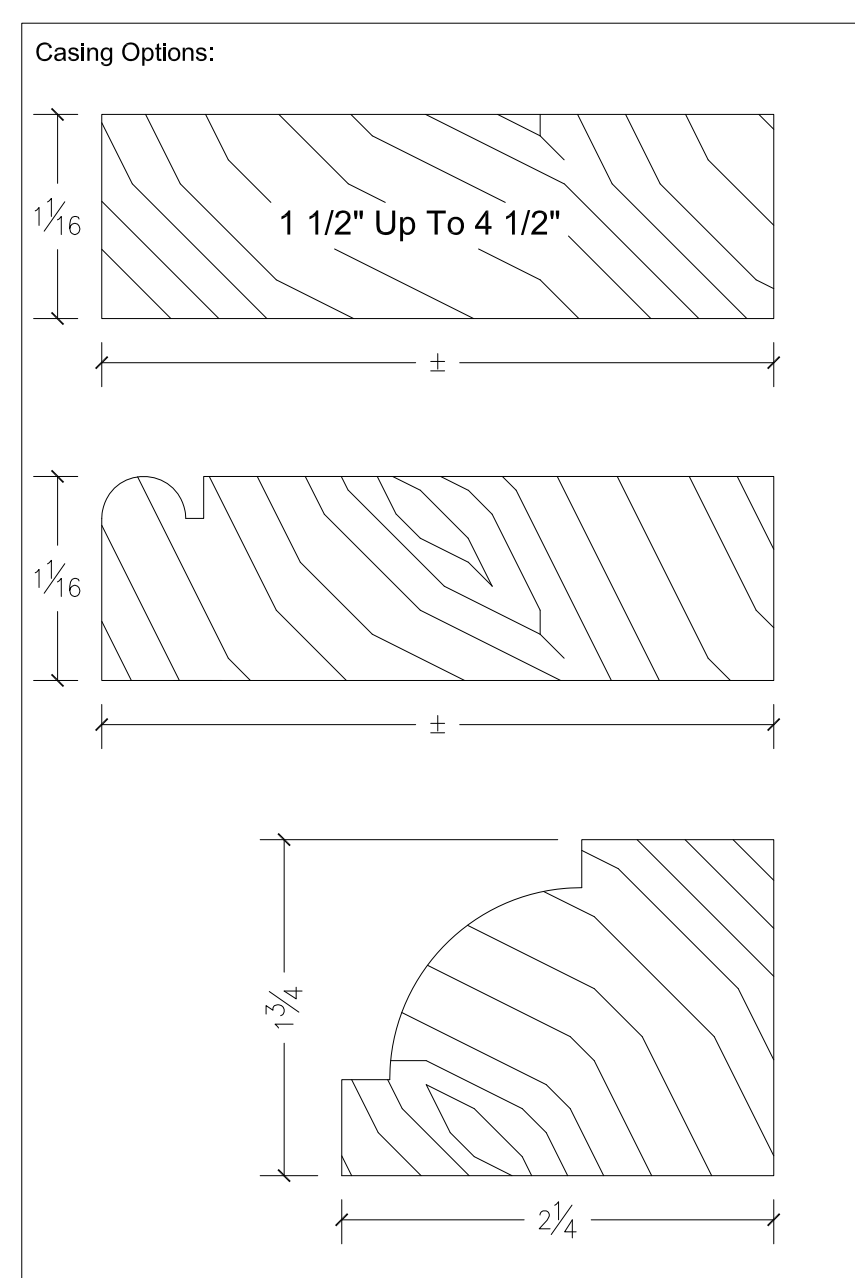
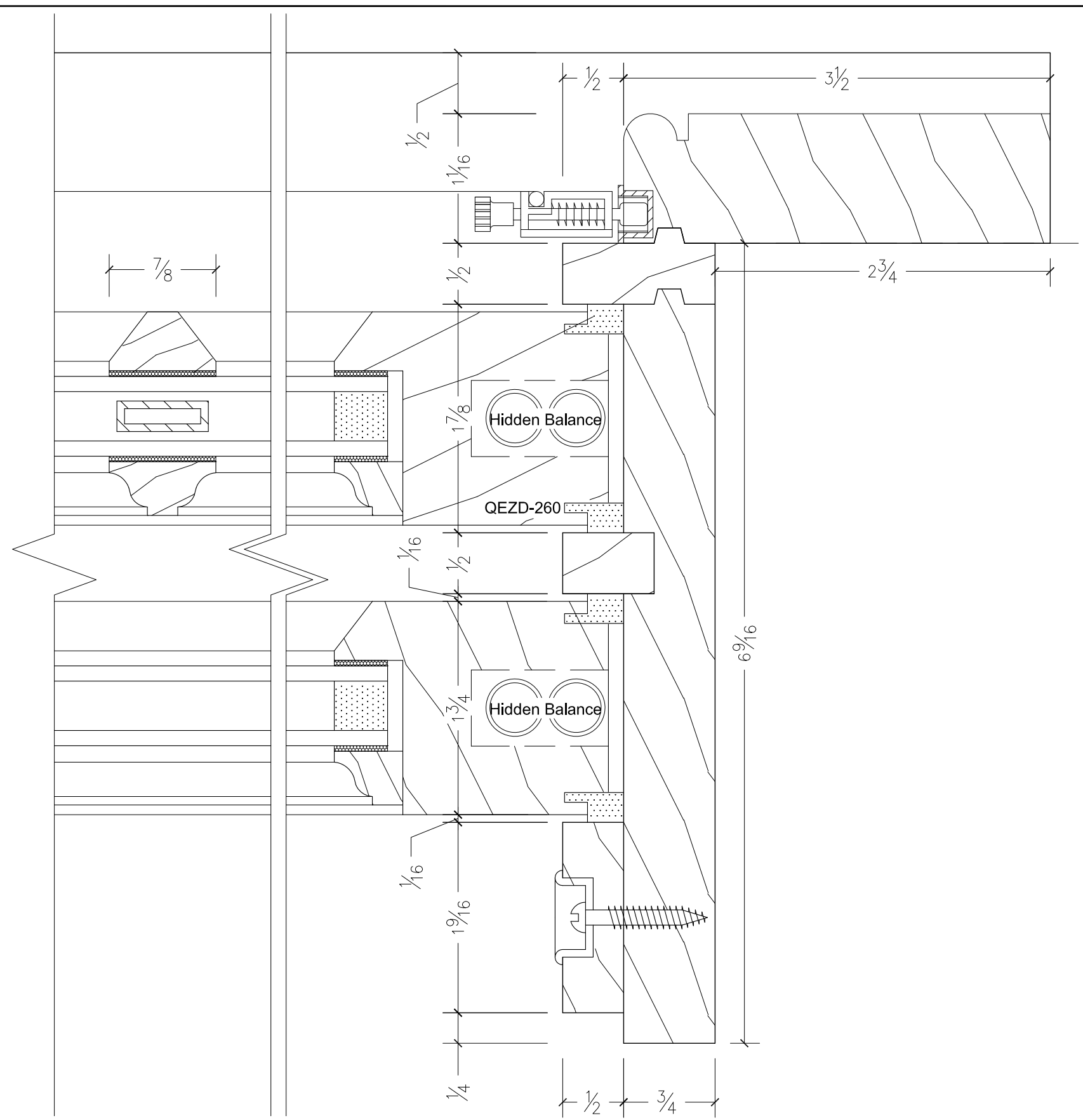
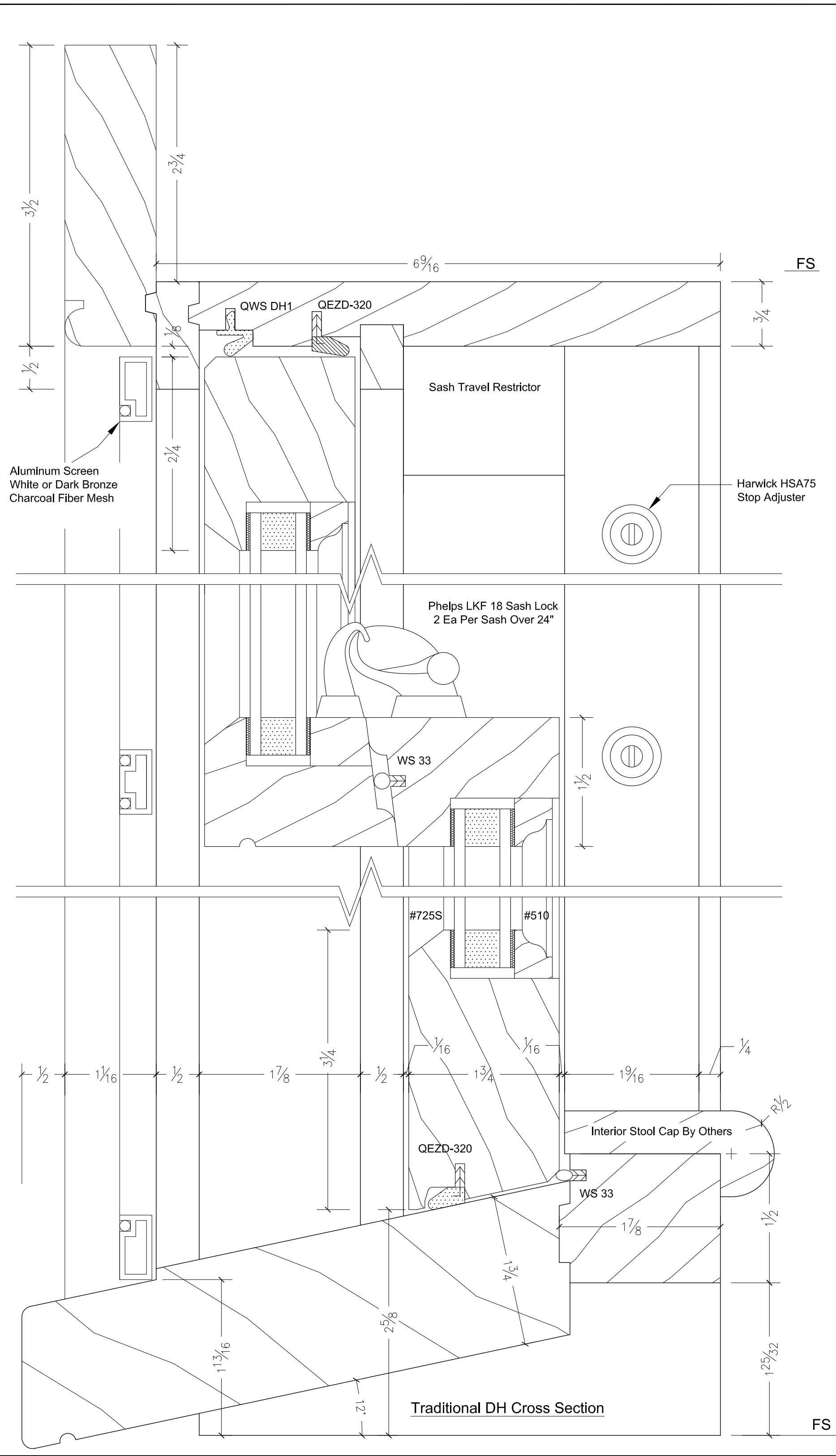
Legend:
 RO = Rough Opening, FS = Frame Size, SH = Sash Size, OSFF = Outside Finish Frame.



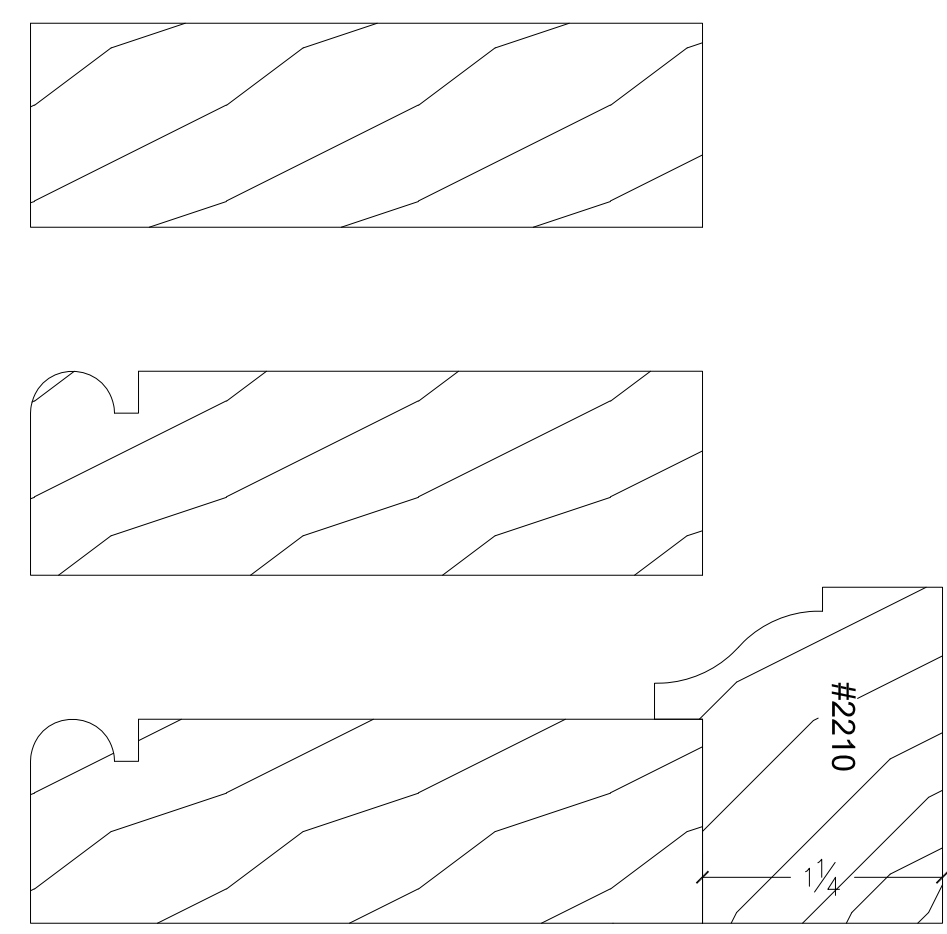
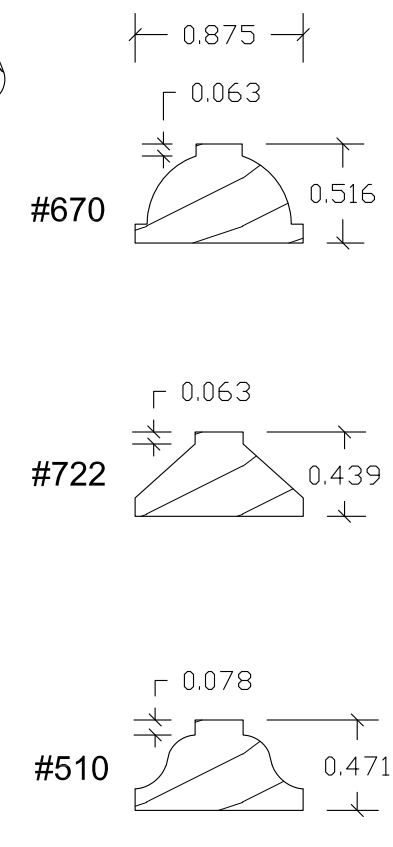
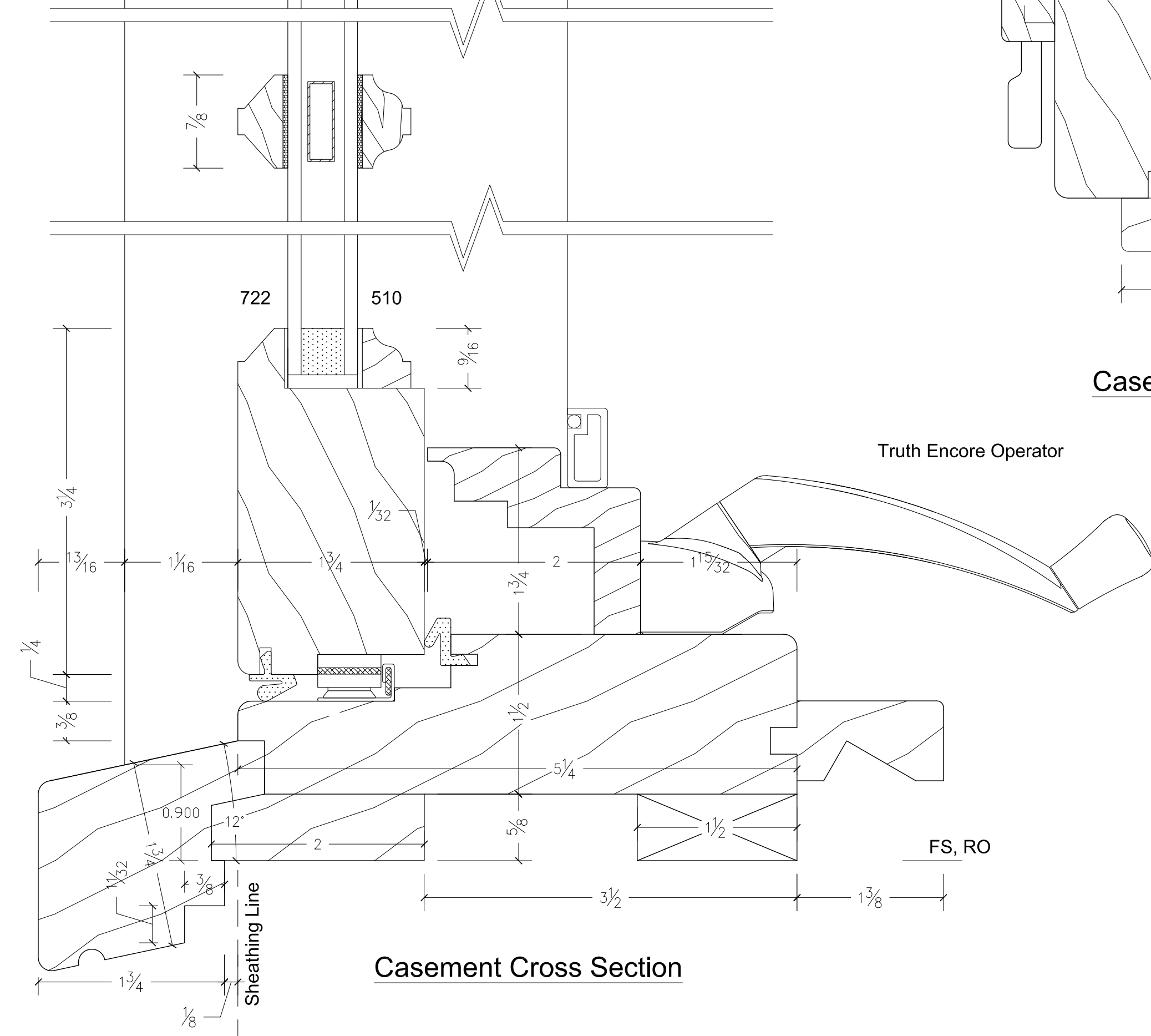
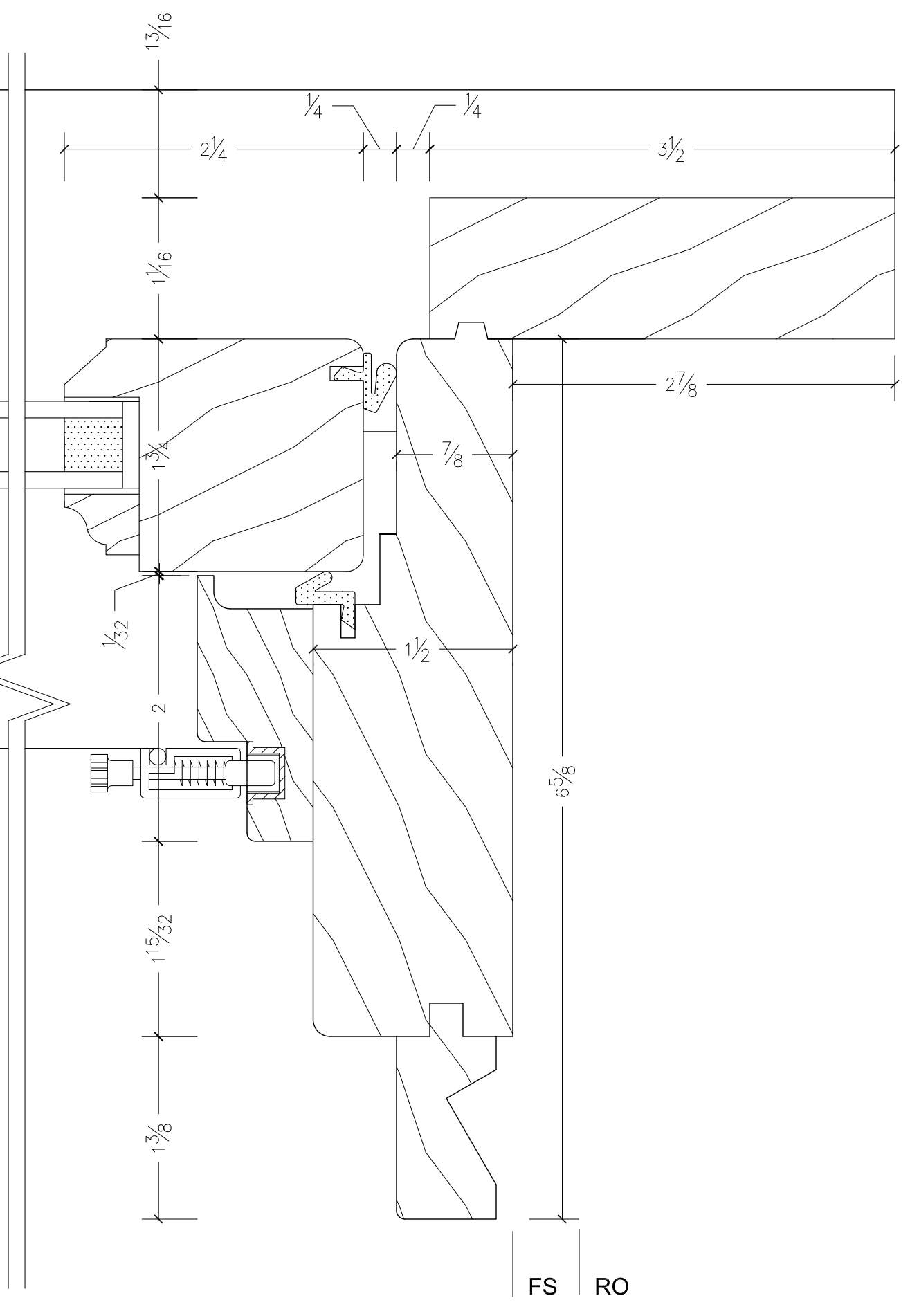
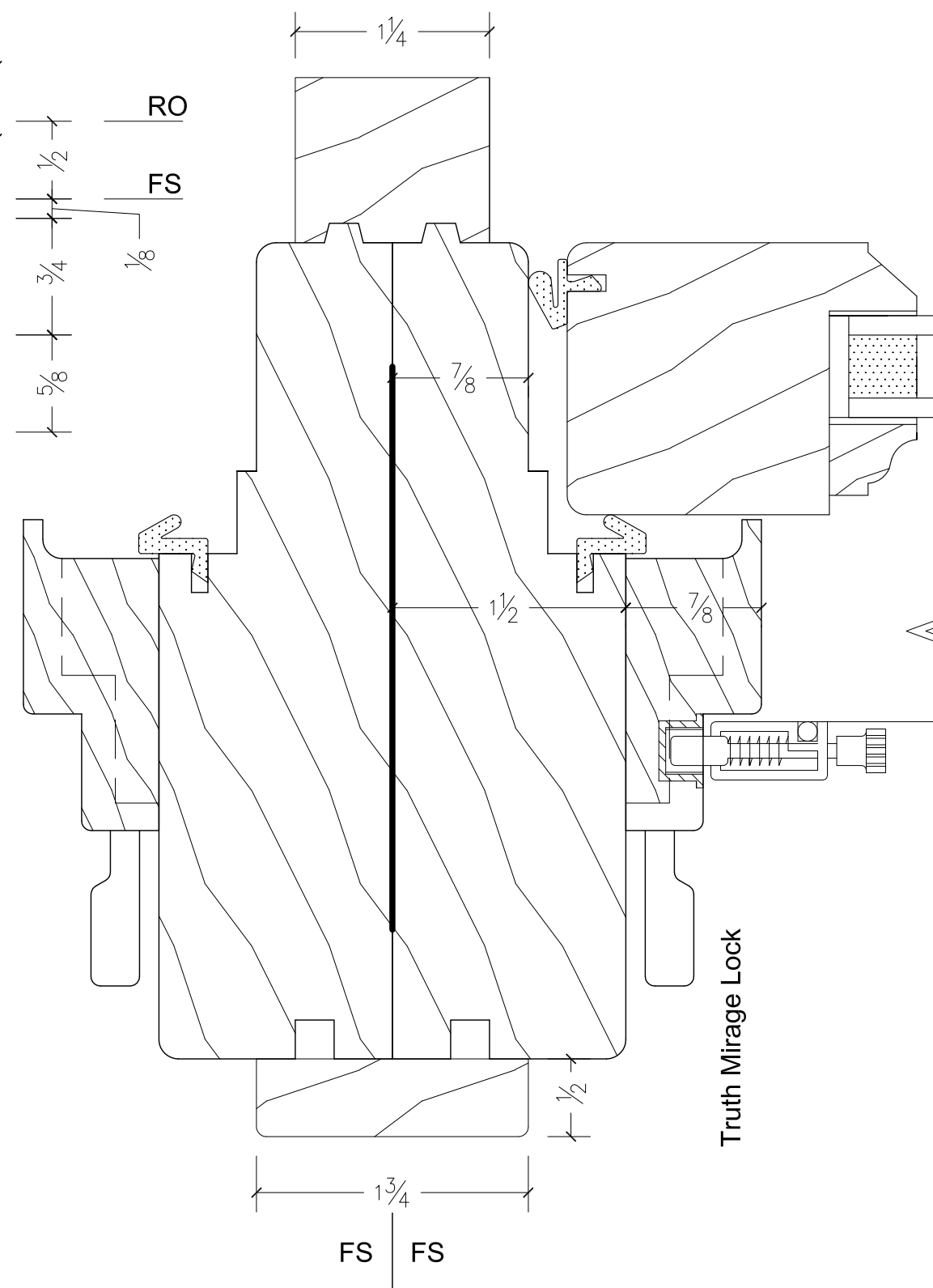
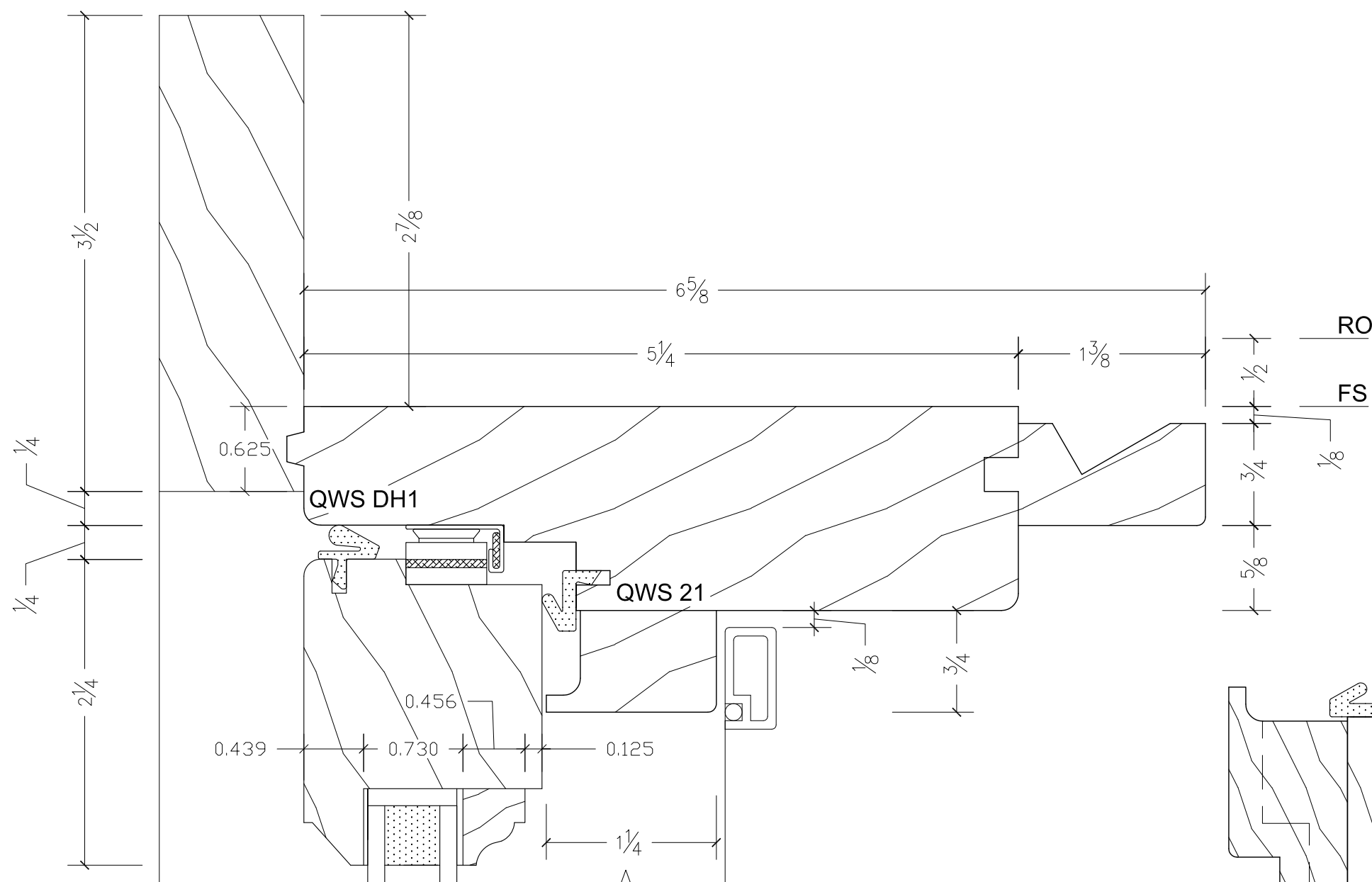
P.O. Box 1188, 11 Little Harbor Rd., Berwick, Maine 03901
 Tel: (800) 597-6344 www.littleharborwindow.com Fax: (207) 698-5309

Traditional Series

LHW Project No:
Drawn By: LHW
Contractor:
Phone:
Architect:
Phone:
Scale: 1" = 1'-0" or 1:1



ISSUE	
2019	ORIG
	REV
	REV
	REV
	REV
	APP



Notes:
1. Mahogany - 2 Coats Of Heavy Body Oil Primer
2. 5/8" or 7/8" IG Low E Glass, Bronze Aluminum Spacer.
3. See Section Pages for Hardware Notes.
4. 3/8" Aluminum Screen Surround With Charcoal Mesh @ Windows.
Legend: RO = Rough Opening, FS = Frame Size, SH = Sash Size, OSFF = Outside Finish Frame.

Little Harbor Window
company inc.
P.O. Box 1188, 11 Little Harbor Rd., Berwick, Maine 03901
Tel: (800) 597 6344 www.littleharborwindow.com Fax: (207) 698 5309

Traditional Series
LHW Project No:
Drawn By: LHW
Contractor:
Phone:
Architect:
Phone:
Scale: Full Size

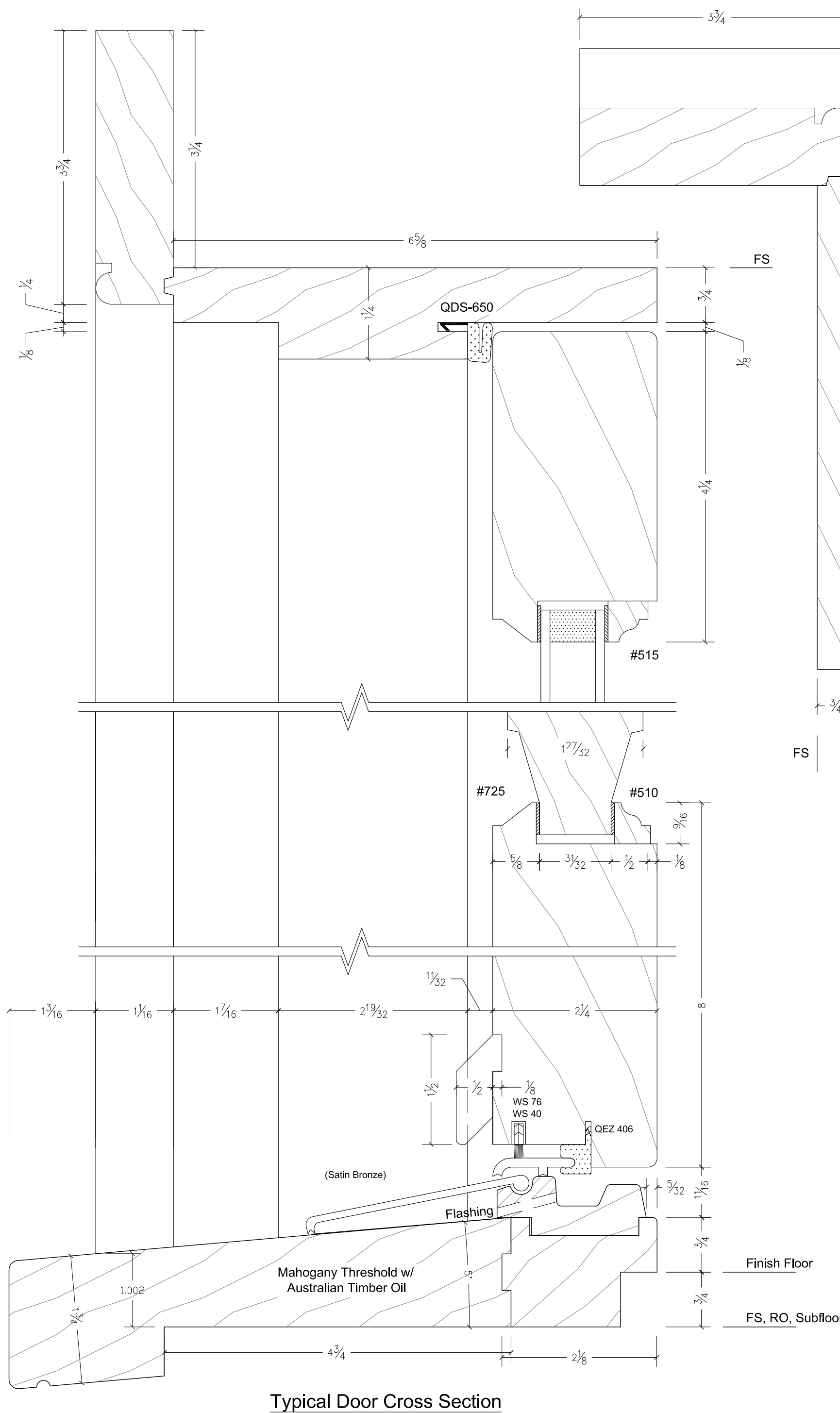
2019	BRIG
	REV
	REV
	REV
	REV
	APPR

Notes:
 1. Mahogany - 2 Coats Of Heavy Body Oil Primer.
 2. 7/8" IG Low E Glass, Bronze Spacer.
 3. Hoppe HLS 9000 Multipoint Lock System.
 4. Bronze Saddle w/ Compression Seal.
 Legend:
 RO = Rough Opening, FS = Frame Size, SH = Sash Size, OSFF = Outside Finish Frame.

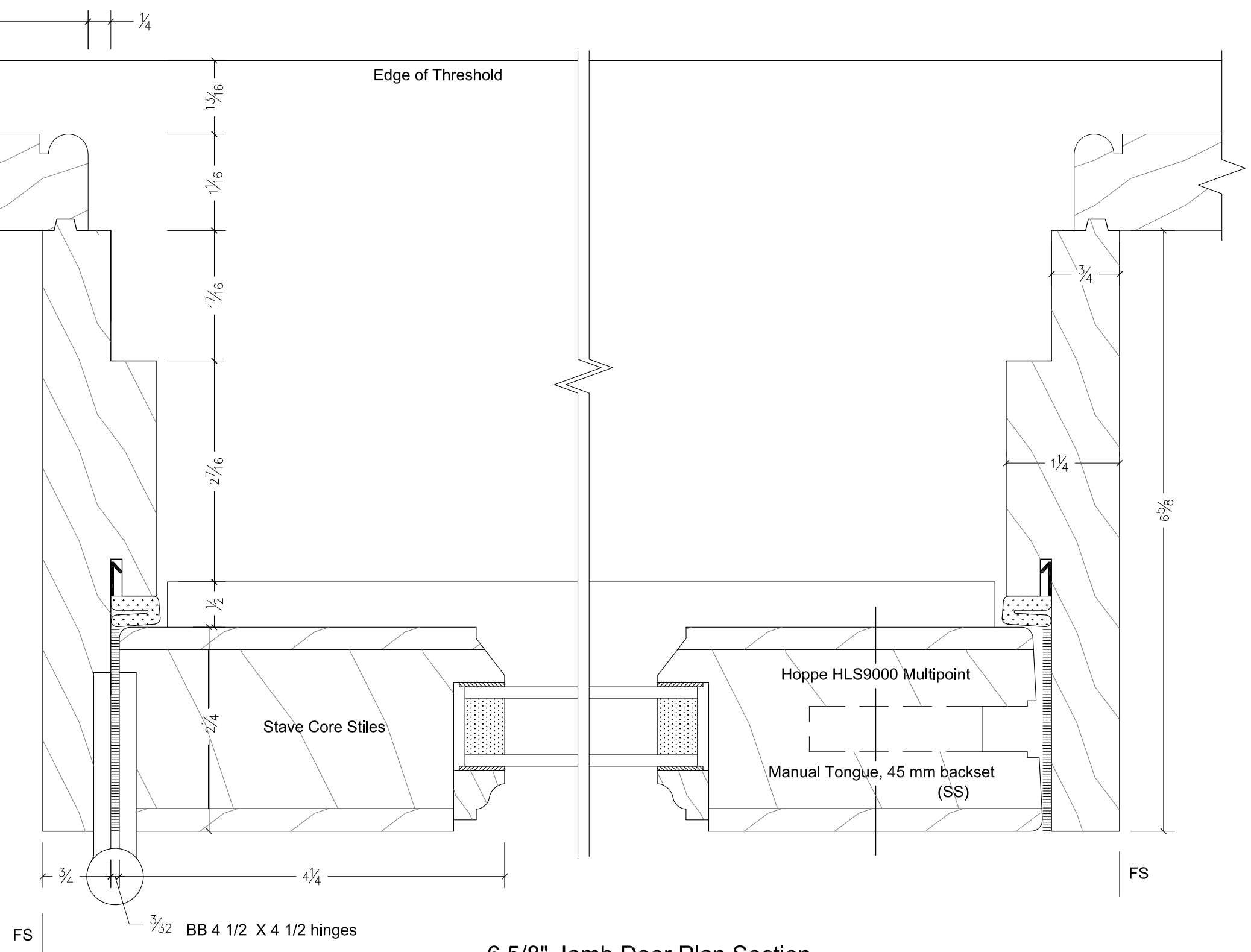
Little Harbor Window Company, Inc.
 P.O. Box 1188, 11 Little Harbor Rd., Berwick, Maine 03901
 Tel: (800) 597 6344 www.littleharborwindow.com Fax: (207) 698 5309

Traditional Series

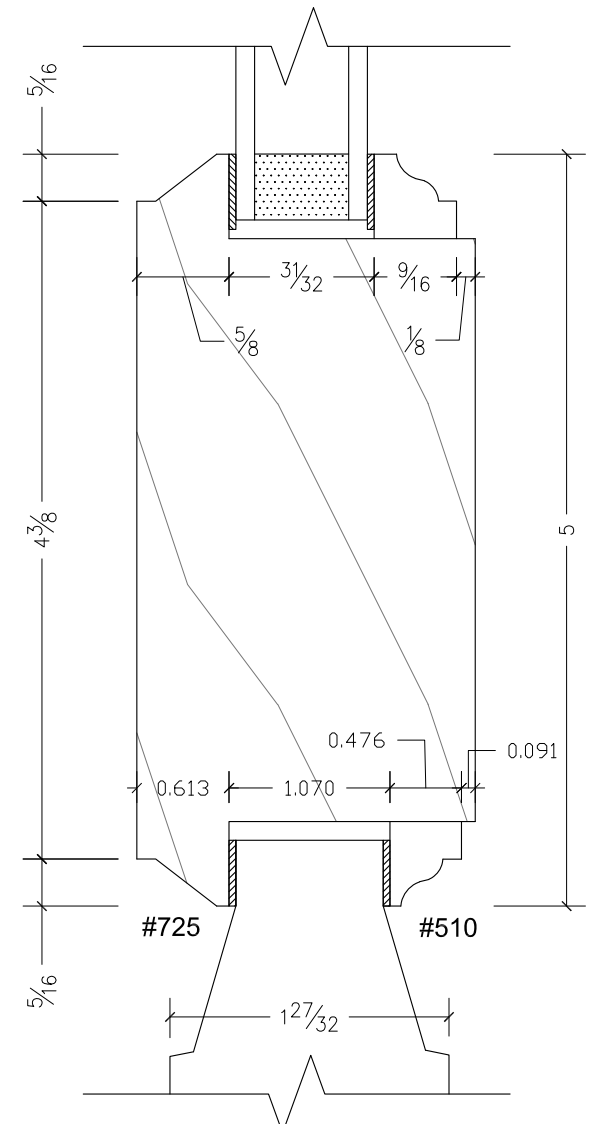
LHW Project No:
 Drawn By: LHW
 Contractor:
 Phone:
 Architect:
 Phone:



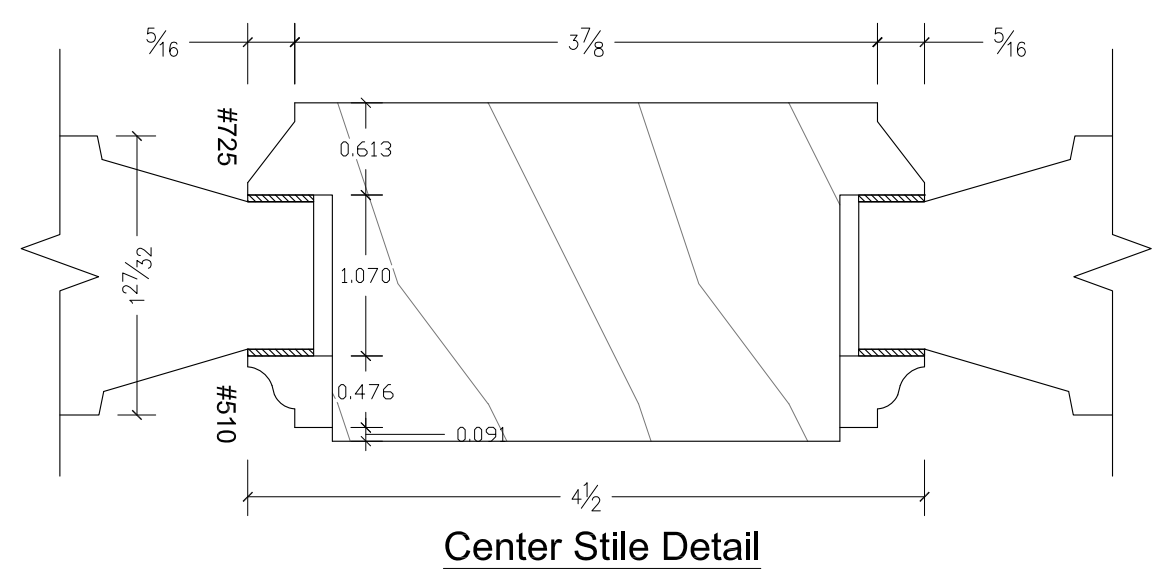
Typical Door Cross Section



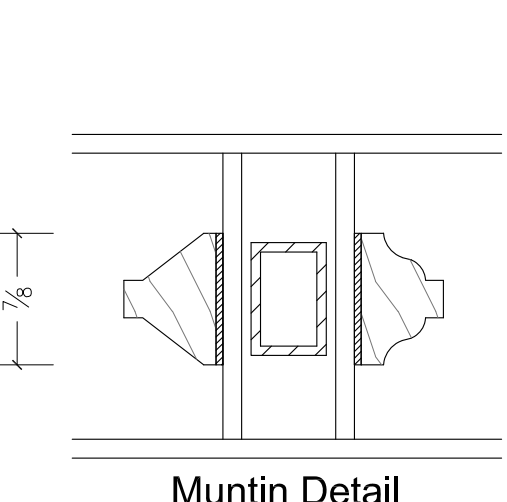
6 5/8" Jamb Door Plan Section
 RH shown



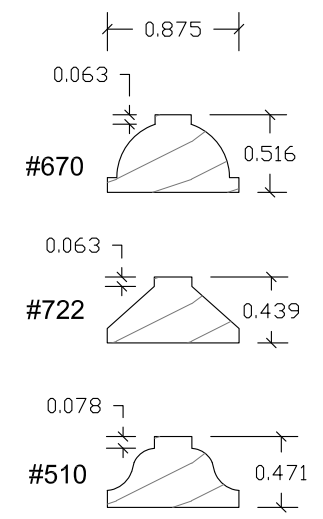
Typical Lock Rail & Panel Details



Center Stile Detail



Muntin Detail



W:\D\2024\24-Cad\Drawn_Current_Typical\Traditional Series\2019\2019-2019-Traditional Series.dwg, 2019-07-20 10:25:56 AM, AutoCAD 2019